

Setting up the unit

DAV700/750 SB4-SB5

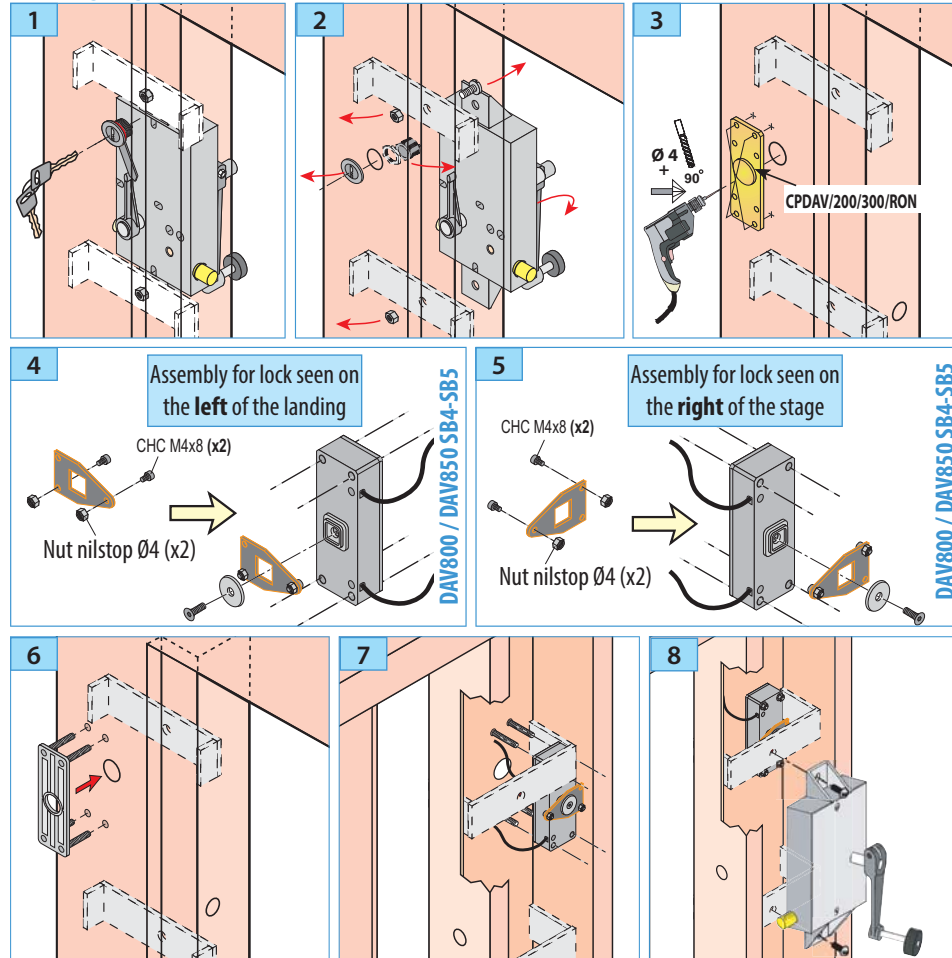
DAV800/850 SB4-SB5

DEX SB4-SB5

Tri SB4-SB5

MDV21 SB4-SB5

Mounting stages



DAV - DEX

WIRING (DAV) :

- ② : 3 wires (inverse contact) :
black (common) ; gray (NO) ; blue (NC).
- ③ : 2 wires : supply 24 V dc.

MDV21

WIRING (MDV21) :

- ① : monostable security contact
- ② : Microswitch
- ③ : Option EN81-71.

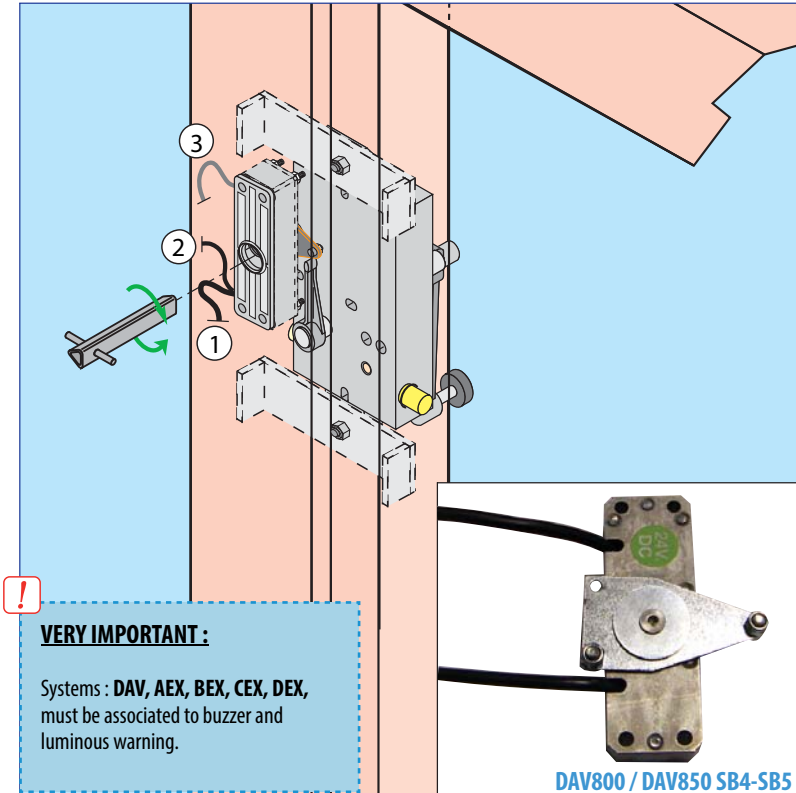


Works with a
bistable rearming
Controller ARM/
MDV21.

prudhomme S.a

38, Rue Charles de Gaulle F
94140 Paris/Alfortville
www.prudhomme.com
Tél. : +33 01 45 18 19 20
Fax : +33 01 45 18 19 21

- Electromechanical anti vandal unlocking (SB4-SB5) Soretex.
- Double door-opening detector (SB4-SB5) Soretex Conformity with EN81.21, EN81.21 + EN81.71



Supplies :

- Set DAV SB4-SB5 or DEX SB4-SB5 or Tri SB4-SB5 or MDV21 SB4-SB5 + Screws.

Optional :

- CP DAV200/300/RON.

PLEASE, BEFORE INSTALLATION, READ IT CAREFULLY.

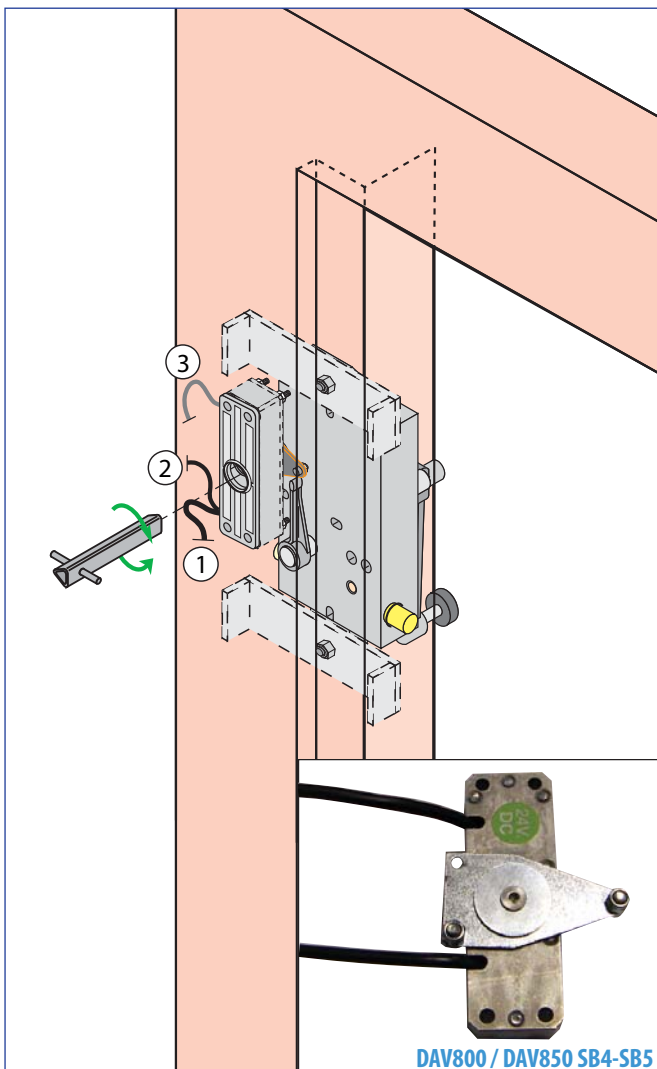
prudhomme S.a

Matériel spécifique pour ascenseurs - specific parts and components for elevators

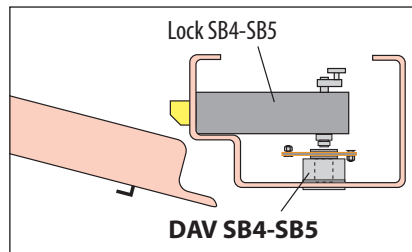
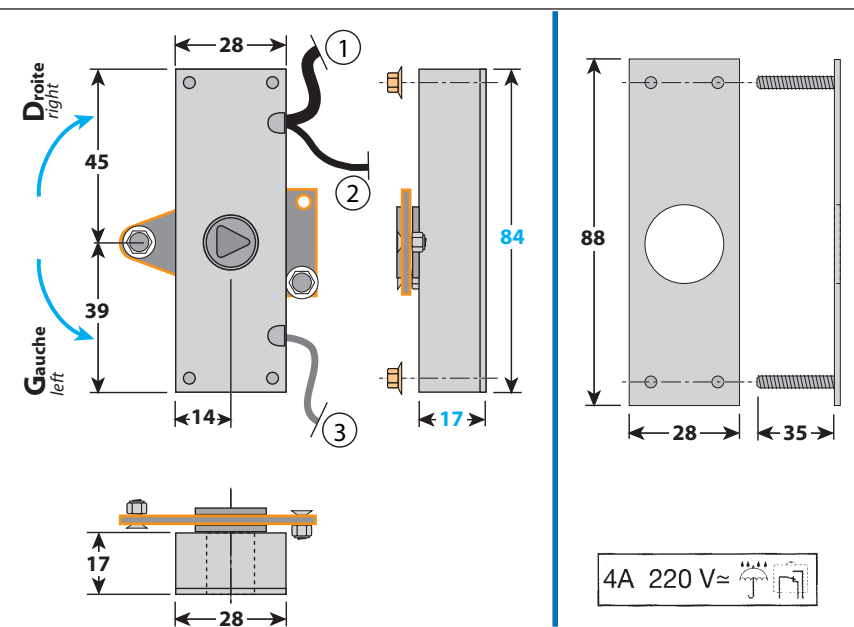
NI-A Document non contractuel, sous réserve de modification - Reproduction interdite. NI Ind. A du 19/03/2018

- Double door-opening detector (SB4-SB5) Soretex Conformity with EN81.21, EN81.21 + EN81.71

VERY IMPORTANT :
Systems : **DAV, AEX, BEX, CEX, DEX**, must be associated to buzzer and luminous warning.



New installation and renovation



IMPORTANT :
Specify the unlocking sens (left or right).

- | | |
|--|--|
| <p>DAV700SB4/SB5-G
DAV750SB4/SB5-G
DAV800SB4/SB5-G
DAV850SB4/SB5-G
DEX SB4/SB5-G
MDV21 SB4/SB5-G</p> | <p>DAV700SB4/SB5-D
DAV750SB4/SB5-D
DAV800SB4/SB5-D
DAV850SB4/SB5-D
DEX SB4/SB5-D
MDV21 SB4/SB5-D</p> |
|--|--|

DAV - DEX

- **DAV700 SB4-SB5** (24V dc - 100 mA) : Locking only, **Switched on** : device blocking.
- **DAV750 SB4-SB5** (24V dc - 100 mA) : Locking only, **Switched off** : device blocking.
- **DAV800 SB4-SB5** (24 V dc - 100 mA) : Switched on, mechanical sticking accessible to the triangle (impossible to use the unlocking key of the lock).
- **DAV850 SB4-SB5** (24 V dc - 100 mA) : Switched off, mechanical sticking accessible to the triangle (impossible to use the unlocking key of the lock).
- **DEX SB4-SB5** (microswitch) : inverse contact for buzzer.

- WIRING (DAV) :**
- ② : **3 wires** (inverse contact) :
black (common), **gray** (no) **blue** (NC)
 - ③ : **2 wires** : feeding 24 V dc

MDV21

- WIRING (MDV21) :**
- ① : monostable security contact
 - ② : Microswitch
 - ③ : Option EN81-71.

Works with a bistable rearming Controller ARM/MDV21.